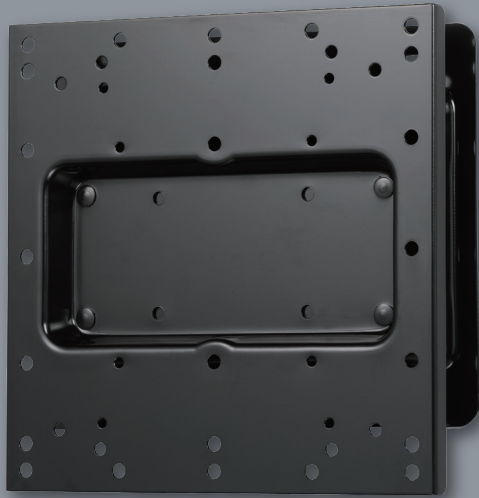


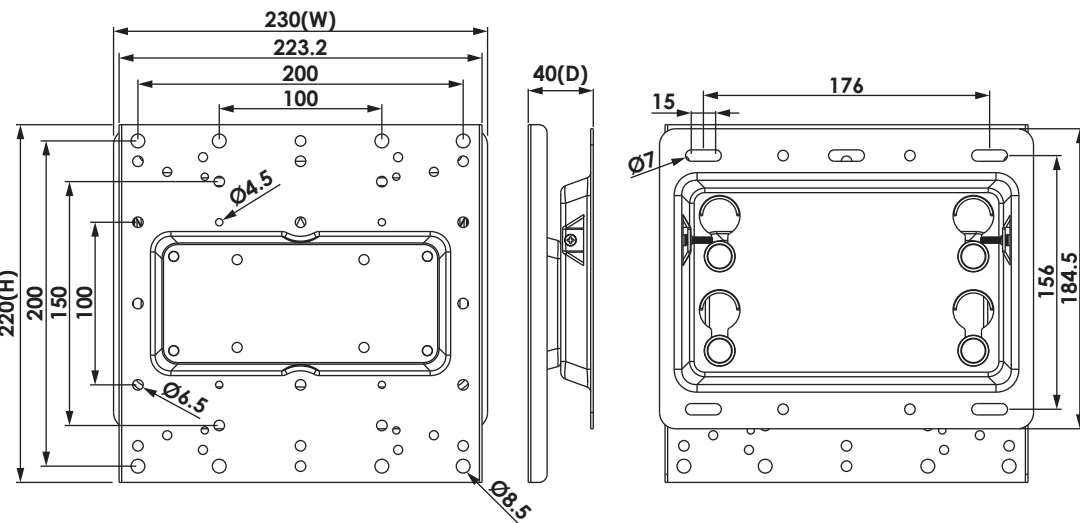
# Installation Manual



22" - 52"  
 ≤ 60 kg  
 ≤ 132.28 lbs  
 MONITOR

78L20200201A

## Physical Dimensions (mm)

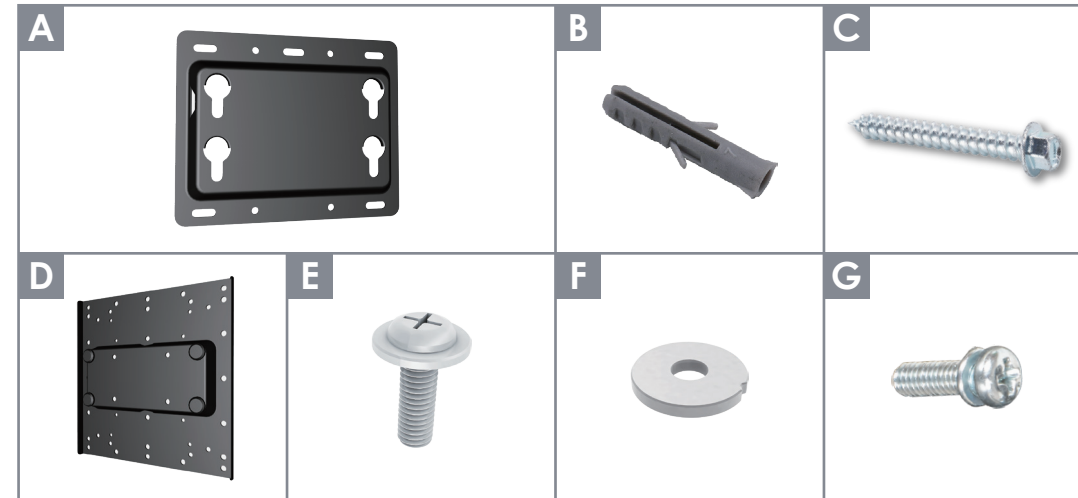


## ⚠ Caution

- To ensure safety, please read this manual carefully before installation and follow the instruction therein. Store this manual in a secure place for future reference.
- The manufacturer shall not be legally responsible for any equipment damage or personal injury caused by incorrect installation or operation other than that covered in this manual.
- The wall mount is designed for easy installation and removal. The manufacturer shall not be liable for damage to equipment or personnel injuries arising out of human factors or acts of God, such as earthquake or typhoon.
- It is recommended that the Wall mount bracket be installed by qualified personnel only.
- At least two persons are needed to install or remove the product to avoid hazard of falling objects.
- Please carefully inspect the area where the wall mount is to be installed:
  - Avoid places that are subject to high temperatures, humidity, or contact with water.
  - Do not install the product near air conditioning vents or areas with excess dust and fumes.
  - Only install on vertical walls and avoid slanted surfaces.
  - Do not install in places subject to any shock or vibration.
  - Do not install in places subject to direct exposure to bright light, at it may cause eye fatigue when viewing the display panel.
- Maintain sufficient space around the display to ensure adequate ventilation.
- To ensure safe installation, first check the structure of the wall and select a secure mounting location.
- The wall should be strong enough to sustain a weight of at least four times of the display and Wall mount bracket combined. The mounting location must be able to withstand earthquake or other strong shock.
- Do not modify any accessories or use broken parts. Contact your dealer with any questions.
- Tighten all screws (do not exert excessive force to avoid breaking the screw or damaging its thread).
- The maximum display weight the Wall mount bracket can support is below 60 kg(132.28lbs).
- Drill holes and bolts will be left in the wall once the display and Wall mount bracket are removed. Stains may occur after extended use.
- Since the manufacturer has no way to control the wall type and installation of wall mount, the warranty of the product shall only cover the body of the wall mount. The warranty period of the product is 5 years.
- Manufacturer reserves the right to have design change without prior notice.
- Please consult the English language manual for any dispute on conditions.

Note: 1. Plastic Washers (F) may have to be used between the back of display and the Display brackets (D) if the area on the back of display where the screws are inserted is uneven or if the Display brackets (D) of Screws (E) are too long.

## Enclosed Parts



**Warning**

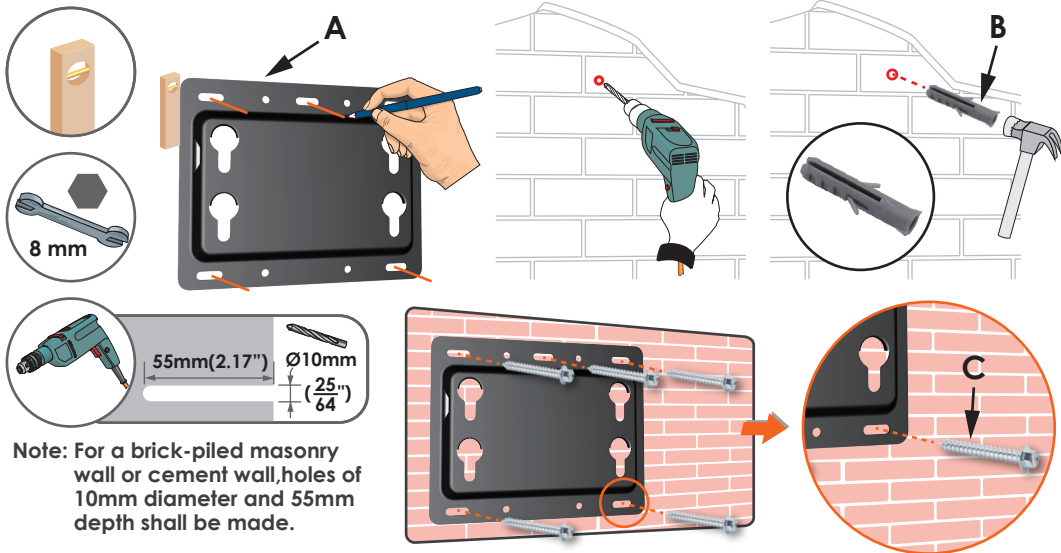
Various displays have different screw hole specifications. Please check that the Screws(E) fits the specifications for the display to be mounted. Please contact your dealer with any questions.

# Installation Process

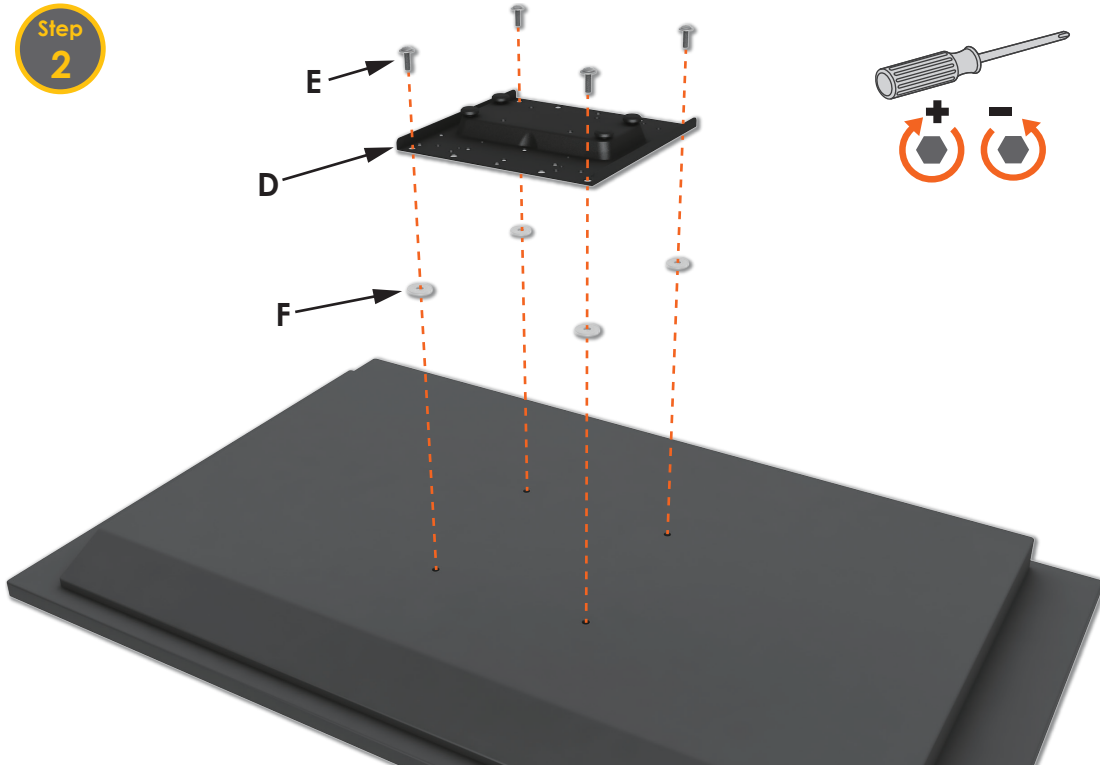
Step 1

## Masonry Walls or Cement Walls

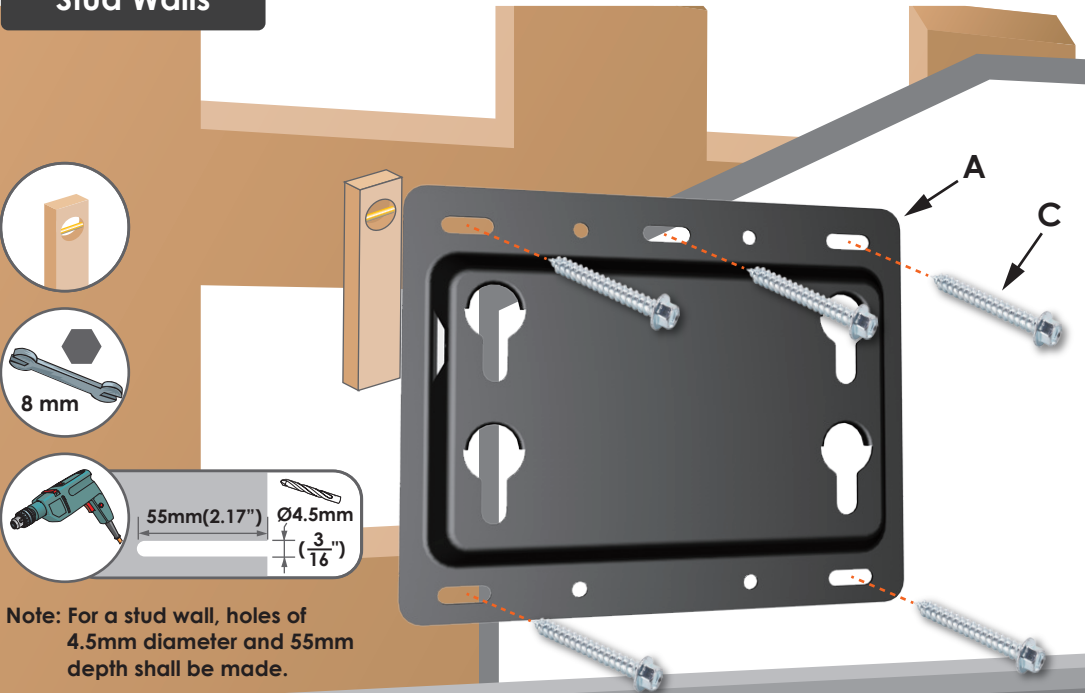
Drill a hole at the marked position with an electric drill and drilling bit.



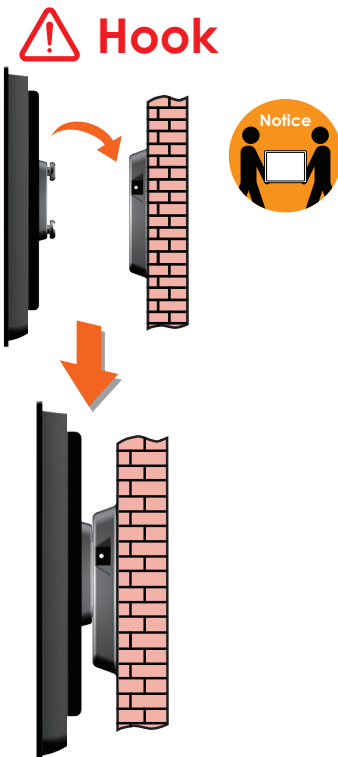
Step 2



## Stud Walls



Step 3



Step 4

