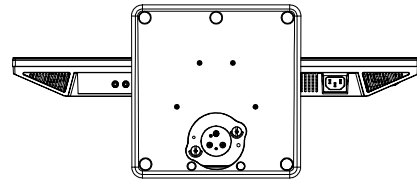
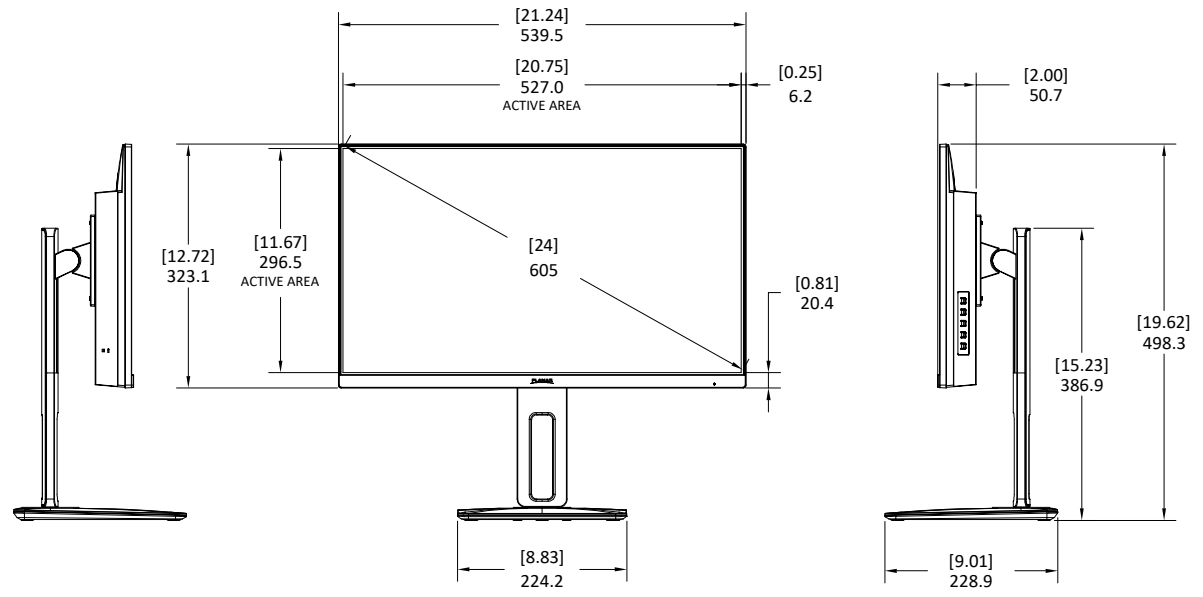
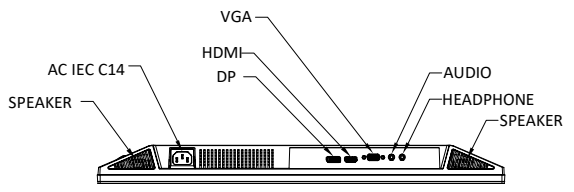
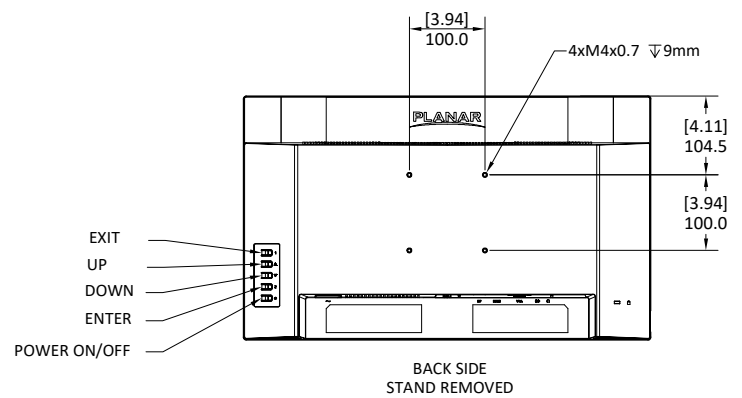
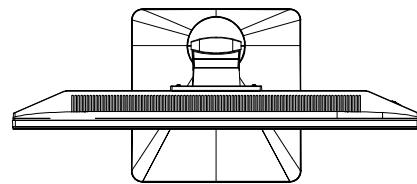


REVISION HISTORY					
ECO	ZONE	REV.	DESCRIPTION	DATE	APPR'D



1. SPECIFICATIONS SUBJECT TO CHANGE WITHOUT NOTICE  
 NOTES: UNLESS OTHERWISE SPECIFIED.

<small>UNLESS OTHERWISE SPECIFIED DIMENSIONS ARE IN MILLIMETERS (INCHES).</small> TOLERANCES: X= ±1      .XX= ±.25 .X= ±.5      D= ±1* DIMENSIONING AND TOLERANCING PER ASME Y14.5M-1994 THIRD ANGLE PROJECTION	ENGR BY		PLANAR SYSTEMS, INC. 1195 NE COMPTON DRIVE HILLSBORO, OR 97006 USA	TITLE	PXN2410					
	DRAWN BY	JAC		14 Jan 22	SIZE	C	PART NO. 998-2944-00	DRAWING NO. 998-2944-00	REV	A
	CHECKED BY			MATERIAL		SCALE	1:5	DO NOT SCALE	SHEET	1 OF 1
	USED ON			FINISH						

THIS DRAWING CONTAINS INFORMATION PROPRIETARY TO PLANAR SYSTEMS, INC. ANY REPRODUCTION IN PART OR WHOLE WITHOUT THE WRITTEN PERMISSION OF PLANAR SYSTEMS IS PROHIBITED. THIS DRAWING IS SUPPLIED FOR INFORMATION, IDENTIFICATION, ENGINEERING, EVALUATION, AND/OR INSPECTION PURPOSES ONLY AND MAY NOT BE USED AS BASIS FOR THE MANUFACTURING OF PRODUCTS OR THE FURNISHING OF SERVICES TO PLANAR SYSTEMS OR TO ANY THIRD PARTY UNLESS AUTHORIZED IN WRITING BY PLANAR SYSTEMS.