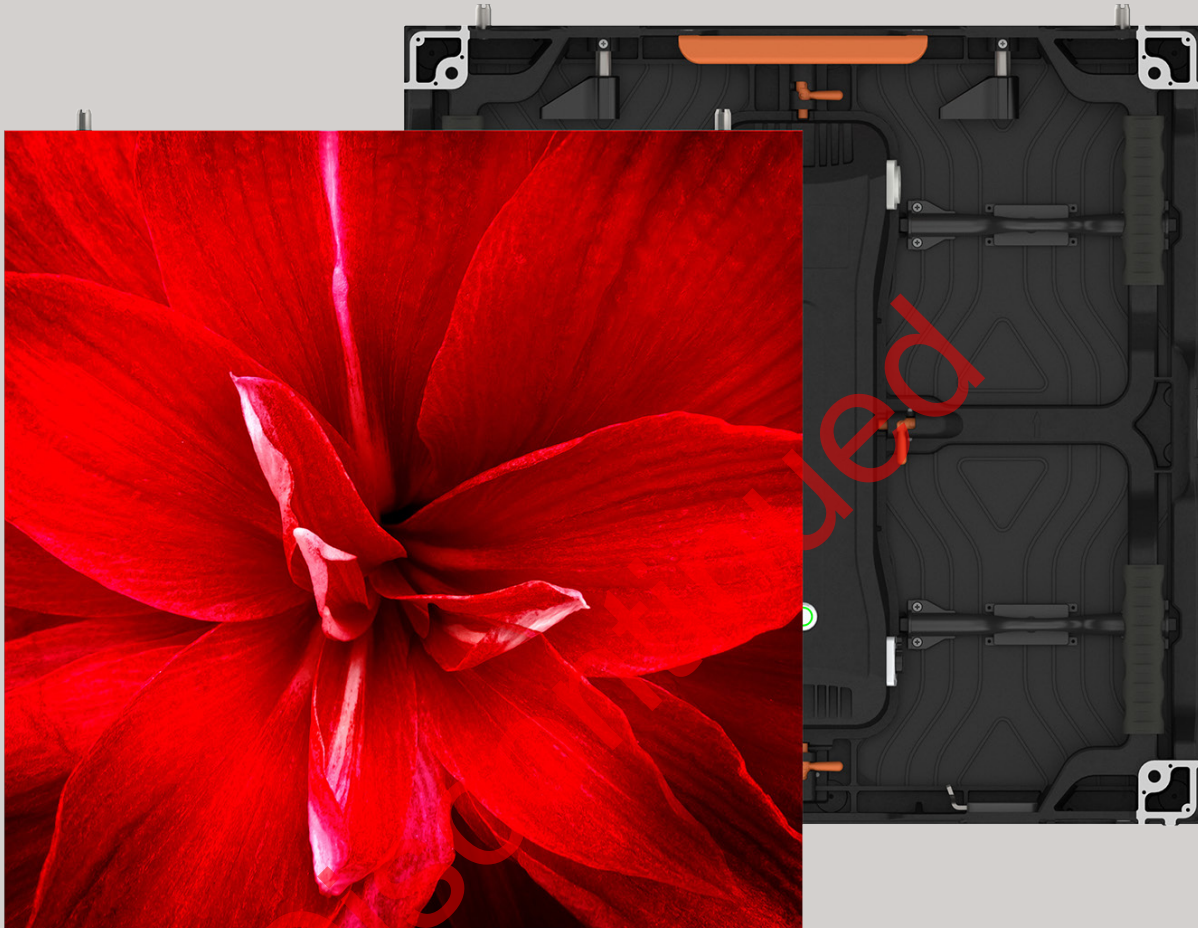




Planar VVR Series

Indoor and Outdoor LED Video Wall



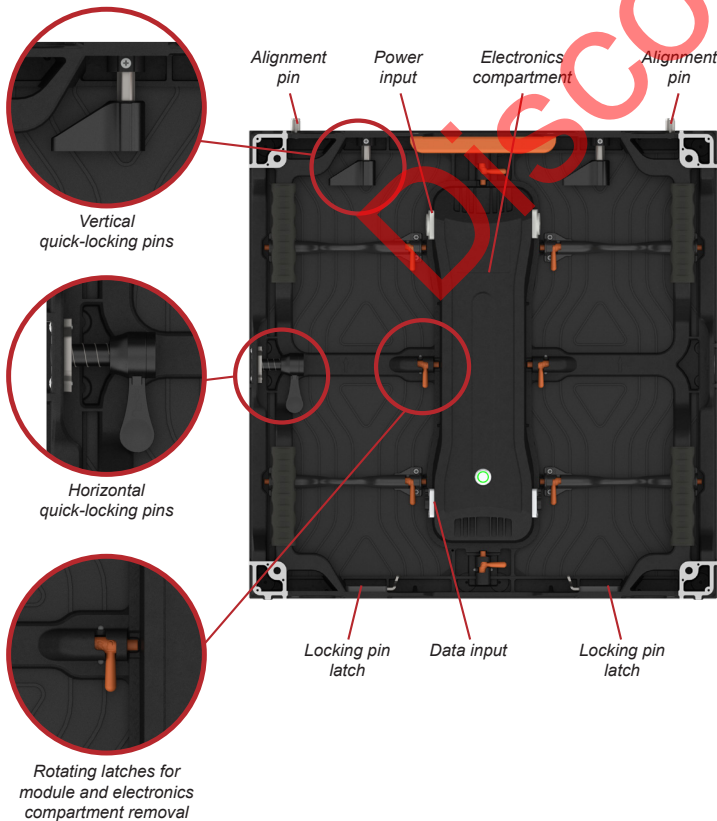
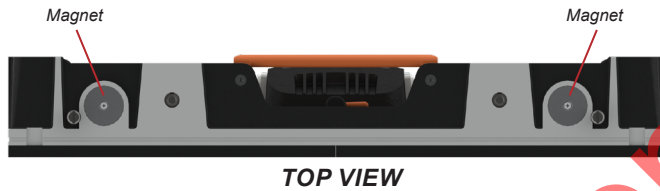
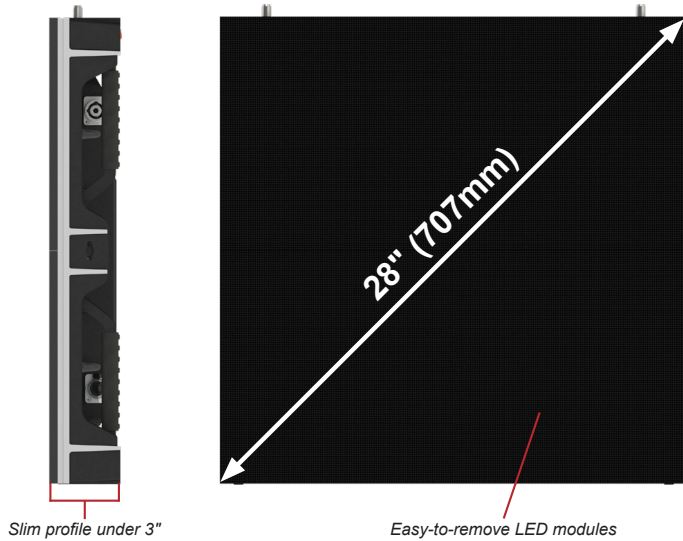
Event-Ready LED Video Walls

The Planar® VVR Series is a family of indoor and outdoor LED video wall displays designed to meet the fast-paced needs of rental & staging, large venue and event applications. Delivering fast assembly and easy access to electronics, Planar VVR Series LED displays feature magnetically-attachable cabinets with a quick-lock system to support single-person handling.

Planar VVR Series indoor models are available in 2.5, 3.9, 4.8 and 5.9mm pixel pitches and outdoor models are available in 2.9, 3.9, 4.8, 5.9, 7.8 and 10.4mm pixel pitches. The Planar VVR Series easily adapts to indoor, outdoor, hanging and floor-mounted installations — creating stunning video walls that visually enhance environments.

Exceeding Fast-Paced Demands

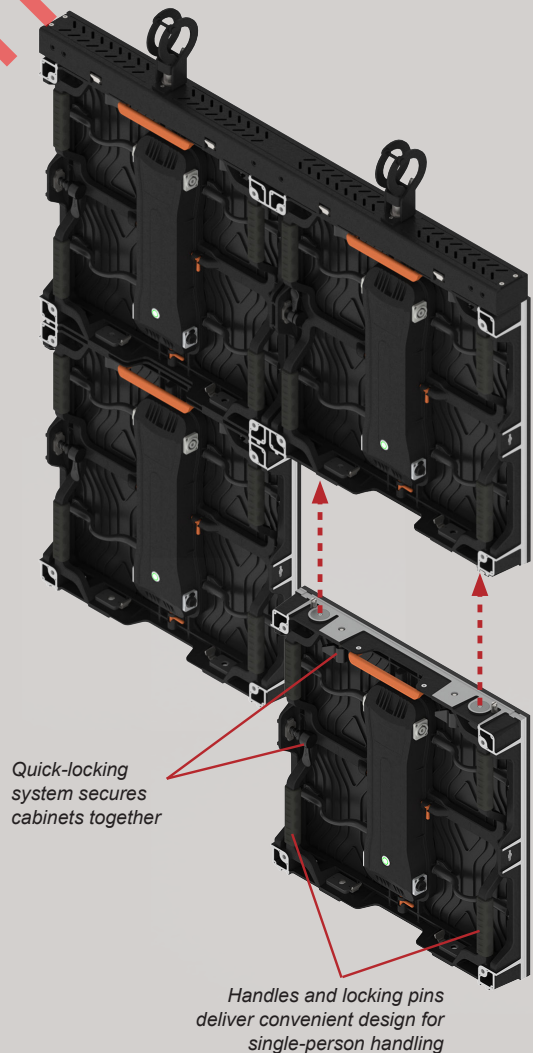
Planar VVR Series LED video walls deliver the highest level of display flexibility and set-up ease that is required in rental, staging and flexible-fixed installations and not commonly found in traditional LED video wall displays. Developed specifically for dynamic environments, the Planar VVR Series is designed for quick, easy installation and teardown, while delivering high performance image quality and reliability.



DESIGNED FOR FREQUENT SET-UP & TEARDOWN

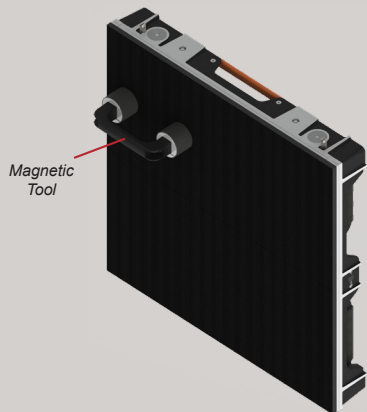
Planar VVR Series LED video walls are designed for single-person installation and teardown, reducing the time required for installation, lowering costs while adding a competitive edge.

To assist in single-person installation, the Planar VVR Series features magnetic points that briefly hold the LED cabinet in place while an installer secures the LED cabinet and finalizes cabling. Planar VVR Series cabinets also feature an embedded quick-lock system, making it easy and efficient to secure cabinets together.

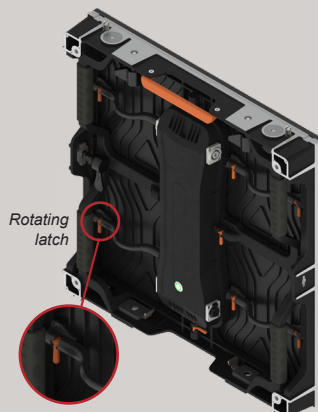


EASY-TO-ACCESS SERVICE FEATURES

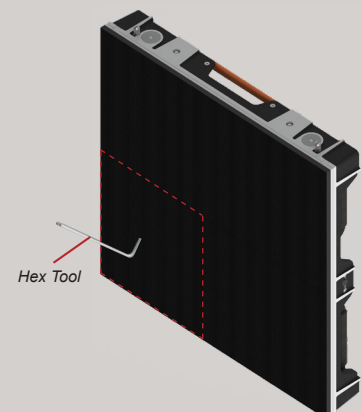
The Planar VVR Series features a self-contained LED cabinet design with easily removable modules via front or rear access.



Front Module Removal with Magnet Tool
Planar VVR Series Indoor Models
2.5, 3.9, 4.8, 5.9mm



Rear Module Removal with Rotating Latches
Planar VVR Series Outdoor Models
2.9, 3.9, 4.8mm



Front & Rear Module Removal with Hex Tool
Planar VVR Series Outdoor Models
5.9, 7.8, 10.4mm



Installation Variety by Design

With the Planar VVR Series, flexibility and stunning visual performance are at the forefront of product design to meet the fast-paced demands of rental & staging environments and creative flexibility required for fixed installations.

Planar VVR Series LED video walls easily adapt to various designs, including hanging, stacking, wall-mounted, floor-mounted, attached to traditional and customized frame styles. With a wide range of configurations, the Planar VVR Series is ideal for applications including concerts, festivals, conferences, public gatherings, tradeshows or exhibitions.

Visually Stunning In Any Environment

With high brightness, excellent contrast and a wide color gamut, the Planar VVR Series delivers exceptional image quality to enhance dynamic applications. The Planar VVR Series is suitable for high ambient light applications with indoor models offering 1000-nit brightness and outdoor models offering high brightness of 5000-nit.

With an IP65 Ingress Protection Rating, the dust-tight enclosure of the Planar VVR Series' outdoor models works to protect the LED display in harsh outdoor conditions.

Compact & Reliable Components

The Planar VVR Series incorporates a rack-mounted video controller that supports resolutions up to 2.3 million pixels and includes control software that delivers a variety of controls and adjustments via a user-friendly interface.

The Planar VVR Series uses power and signal cables compatible with industry-standards and features a fast and easy twist-lock latching system. All electronics are contained in single compartment on back of cabinet. The electronic compartment is easily removable to quickly access and service all components.

PLANAR VVR SERIES INDOOR SPECIFICATIONS

Model	VVRI-2.5	VVRI-3.9	VVRI-4.8	VVRI-5.9
Pixel Pitch	2.5mm	3.91mm	4.81mm	5.95mm
Resolution	200x200	128x128	104x104	84x84
Pixel Density	160000/sq m 14864/sq ft	65536/sq m 6088/sq ft	43264/sq m 4019/sq ft	28224/sq m 2622/sq ft
Cabinet Size (W x H x D)	500 x 500 x 74mm 19.69 x 19.69 x 2.91in			
Power Consumption, Max (watts)	188/Cabinet 750/sq m			
Line Voltage	100~240V AC, 50/60Hz			
Cabinet Weight (per display)	7kg 15.43lb			
Brightness Max, Calibration On (cd/sq)	1000			
Contrast Ratio	8000:1			
LED Refresh Rate	3000Hz			
Color Temp, Adjustable (k)	3000 - 10000			
Viewing Angle (horizontal & vertical)	H: 120° V: 110°			
Service Access	Front (limited - module only)			
Environment	Indoor			
Operating Temp/ Humidity (°F/C)	-10° to 40° C 14° to 104° F			
Controller	S6F Controller			

PLANAR VVR SERIES OUTDOOR SPECIFICATIONS

Model	VVRO-2.9	VVRO-3.9	VVRO-4.8	VVRO-5.9	VVRO-7.8	VVRO-10.4
Pixel Pitch	2.97mm	3.91mm	4.81mm	5.95mm	7.81mm	10.42mm
Resolution	168x168	128x128	104x104	84x84	64x64	48x48
Pixel Density	112896/sq m 10488/sq ft	65536/sq m 6088/sq ft	43264/sq m 4019/sq ft	28224/sq m 2622/sq ft	16384/sq m 1522/sq ft	9216/sq m 856/sq ft
Cabinet Size (W x H x D)	500 x 500 x 74mm 19.69 x 19.69 x 2.91in					
Power Consumption, Max (watts)	163 /Cabinet 650 /sq m	175 /Cabinet 700 /sq m	188 / Cabinet 750 / sq m			
Line Voltage	100~240V AC, 50/60Hz					
Cabinet Weight (per display)	7.5kg 16.53lb					
Brightness Max, Calibration On (cd/sq)	5000					
Contrast Ratio	6000:1					
LED Refresh Rate	3000Hz					
Color Temp, Adjustable (k)	3000 - 10000					
Viewing Angle (horizontal & vertical)	H: 120°, V: 110°					
Service Access	Rear			Rear Front (modules)		
Environment	Outdoor					
Protection	IP65					
Operating Temp/ Humidity (°F/C)	-20° to 40° C -4° to 104° F					
Controller	S6F Controller					