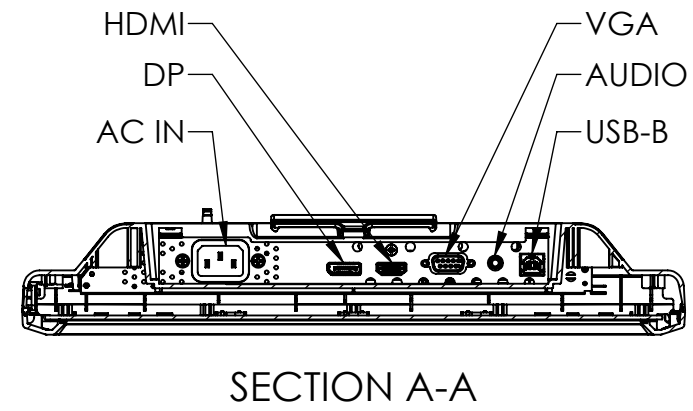
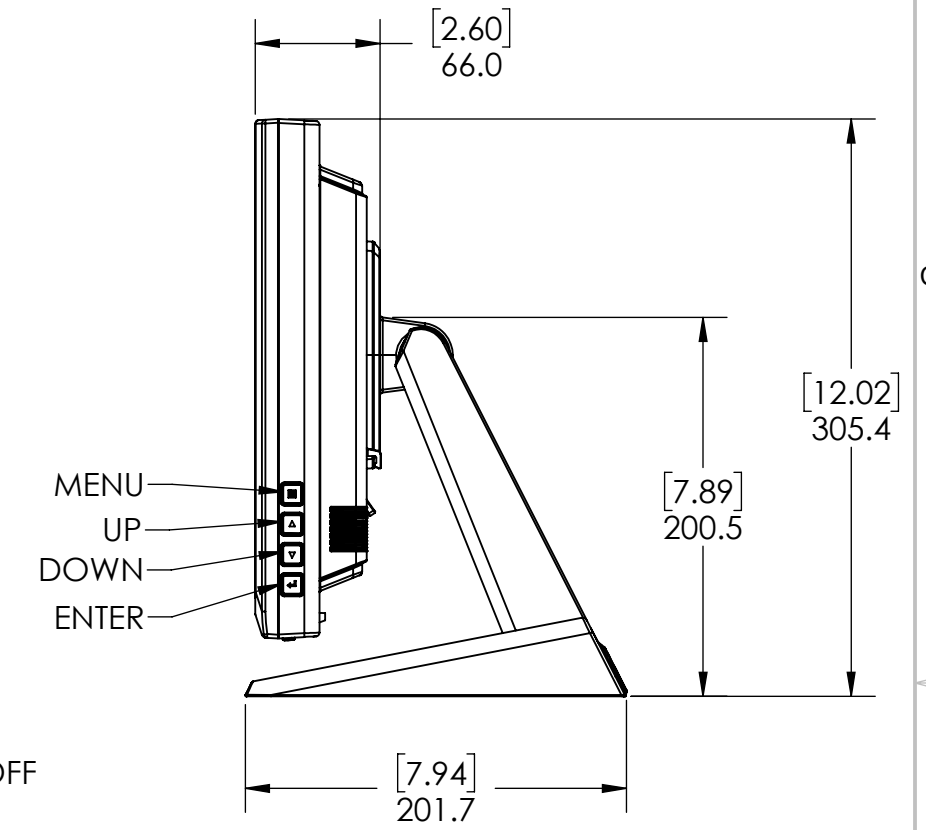
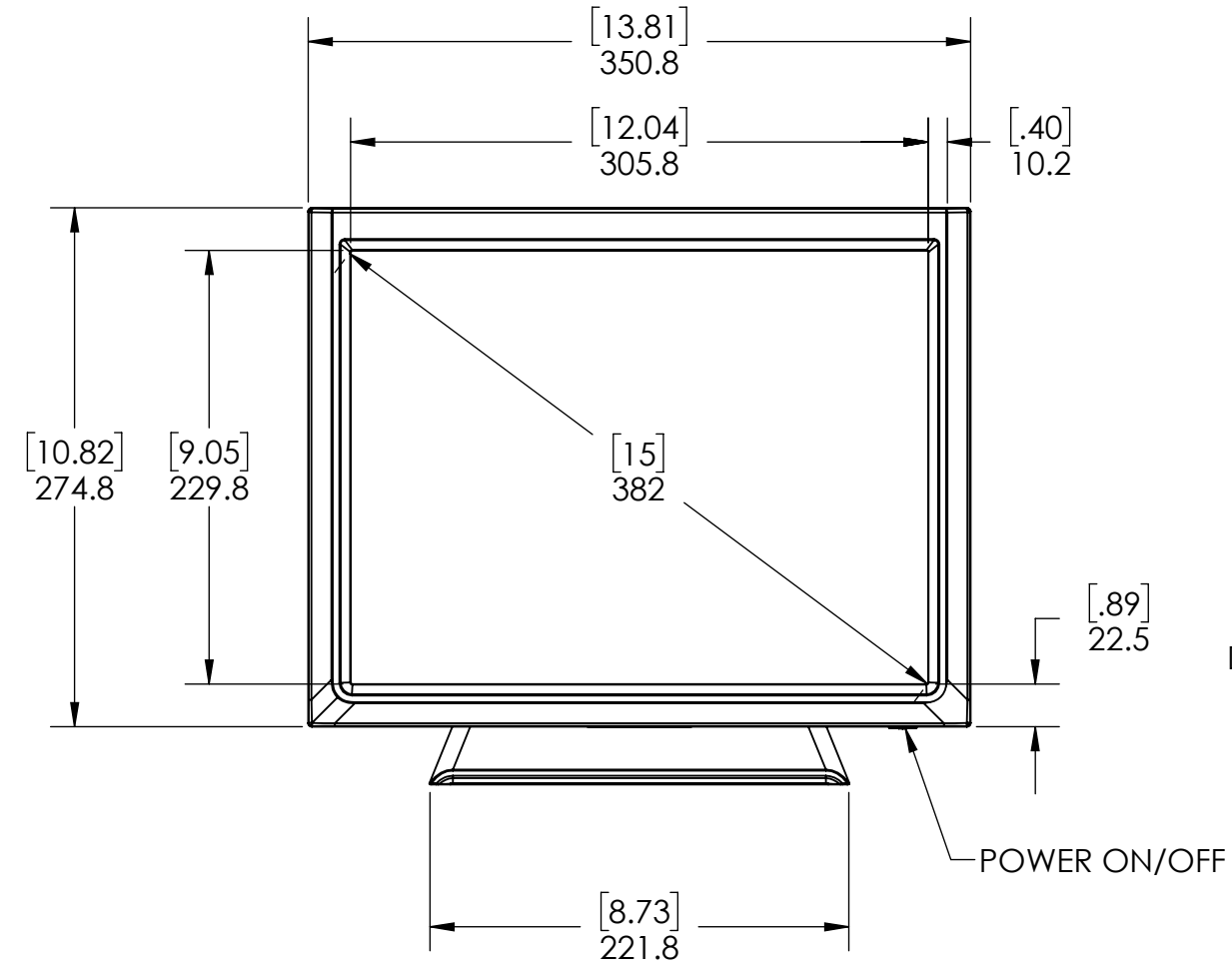
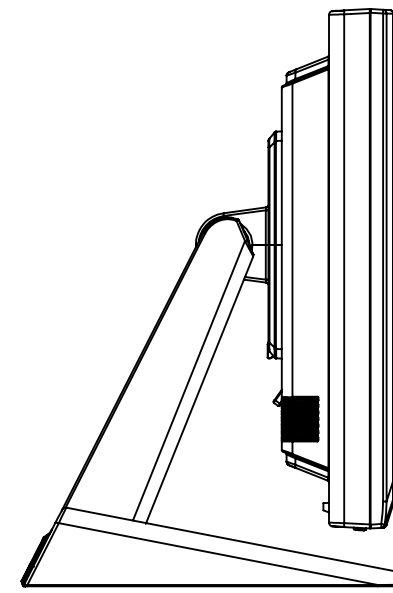
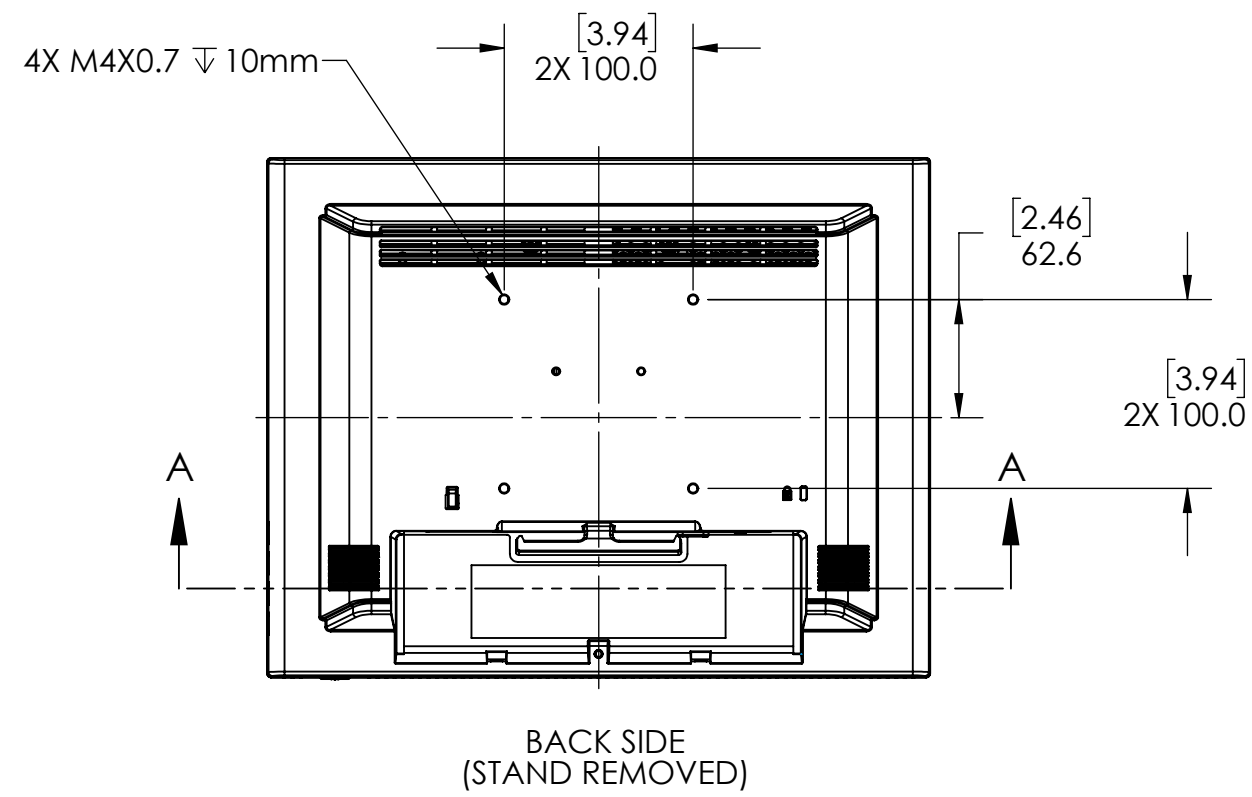


REVISION HISTORY					
ECO	ZONE	REV.	DESCRIPTION	DATE	APPR'D



1. SPECIFICATIONS SUBJECT TO CHANGE WITHOUT NOTICE
NOTES: UNLESS OTHERWISE SPECIFIED

UNLESS OTHERWISE SPECIFIED DIMENSIONS ARE IN MILLIMETERS [INCHES].		ENGR BY	20 JUL 21		 PLANAR SYSTEMS, INC. 1195 NE COMPTON DRIVE HILLSBORO, OR 97006 USA
TOLERANCES:		DRAWN BY	JAC		
X = ±1	.XX = ±.25	CHECKED BY			TITLE
.X = ±.5	∠ = ±1°	USED ON			PT1545R
DIMENSIONING AND TOLERANCING PER ASME Y14.5M-1994		MATERIAL			SIZE
THIRD ANGLE PROJECTION		FINISH			C
					PART NO.
					997-5967-02
					DRAWING NO.
					997-5967-02
					REV
					A
					SCALE
					1:4
					DO NOT SCALE
					SHEET
					1 OF 1