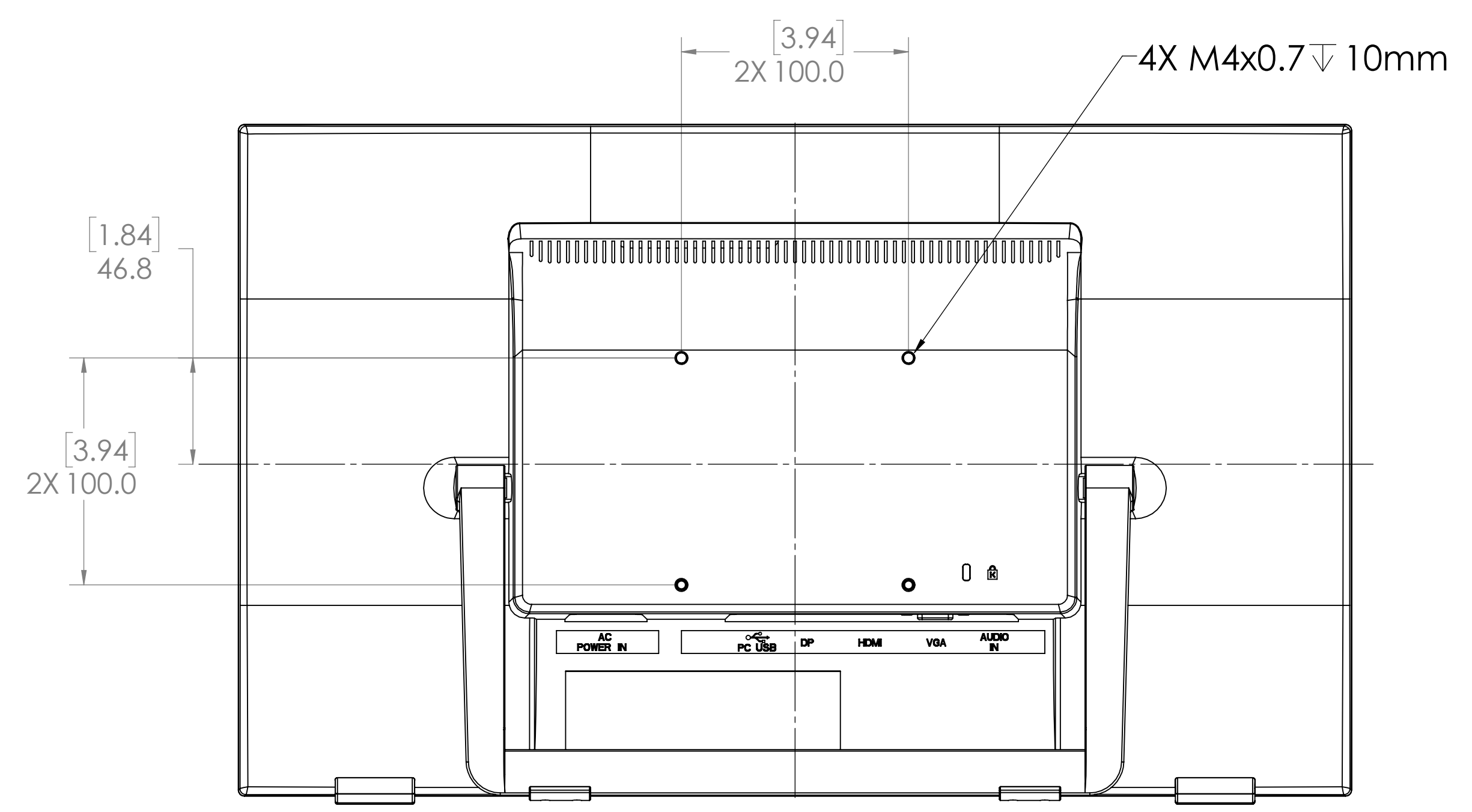
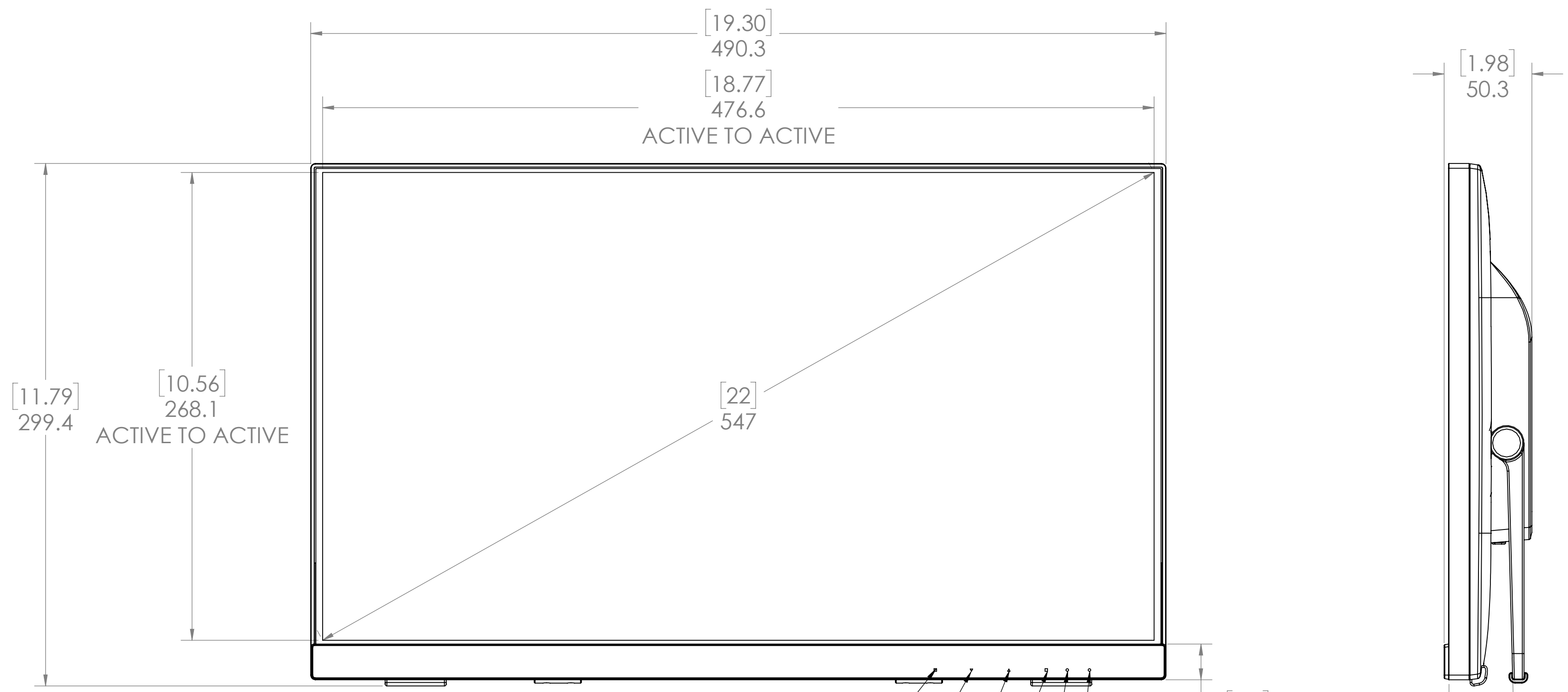


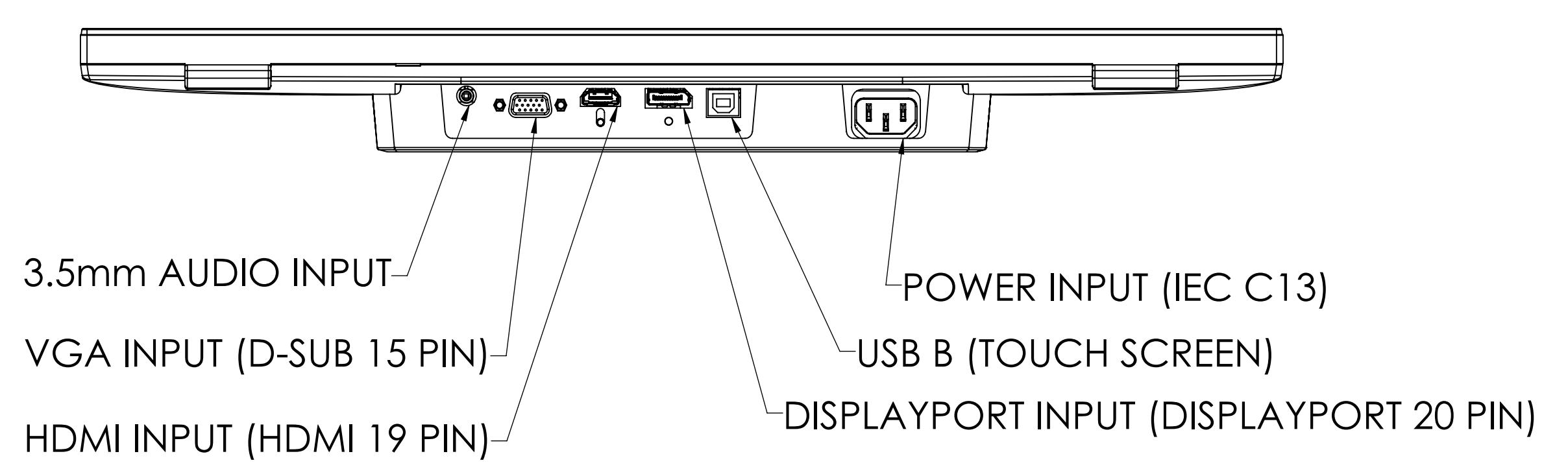
REVISION HISTORY					
ECO	ZONE	REV.	DESCRIPTION	DATE	APPR'D



BACK SIDE



- OSD ON/ OFF
  - SCROLL DOWN/ ADJUST DECREASE/ AUDIO ADJUST /AUTO
  - SCROLL UP/ ADJUST DECREASE/ PICTURE MODE
  - INPUT SELECTION/ CONFIRM SELECTION
  - POWER ON/ OFF
  - LED POWER INDICATOR
- STABLE OPERATIONAL POSITION RANGE: 15°-70°



STAND REMOVED FOR CLARITY

1. SPECIFICATIONS SUBJECT TO CHANGE WITHOUT NOTICE

NOTES: UNLESS OTHERWISE SPECIFIED

UNLESS OTHERWISE SPECIFIED DIMENSIONS ARE IN MILLIMETERS [INCHES]		ENGR BY		 <small>PLANAR SYSTEMS, INC. 1195 NW COMPTON DRIVE BEAVERTON, OR 97008 USA</small>
TOLERANCES:		DRAWN BY	30MAR16	
X= ±1	XX= ±.25	CHECKED BY	EPB	TITLE
.X= ±.5	∠= ±1°	USED ON		
DIMENSIONING AND TOLERANCING PER ASME Y14.5M-1994		MATERIAL		<b>PCT2235</b>
THIRD ANGLE PROJECTION		FINISH		
SIZE	PART NO	DRAWING NO	REV	
D	997-8286-00	997-8286-00	A	
SCALE	1:2	DO NOT SCALE	SHEET	1 OF 1

THIS DRAWING CONTAINS INFORMATION PROPRIETARY TO PLANAR SYSTEMS, INC. ANY REPRODUCTION IN PART OR WHOLE WITHOUT THE WRITTEN PERMISSION OF PLANAR SYSTEMS IS PROHIBITED. THIS DRAWING IS SUPPLIED FOR INFORMATION, IDENTIFICATION, ENGINEERING, EVALUATION, AND/OR INSPECTION PURPOSES ONLY AND MAY NOT BE USED AS BASIS FOR THE MANUFACTURING OF PRODUCTS OR THE FURNISHING OF SERVICES TO PLANAR SYSTEMS OR TO ANY THIRD PARTY UNLESS AUTHORIZED IN WRITING BY PLANAR SYSTEMS.