

Installation Manual

78TS7320201D



Caution

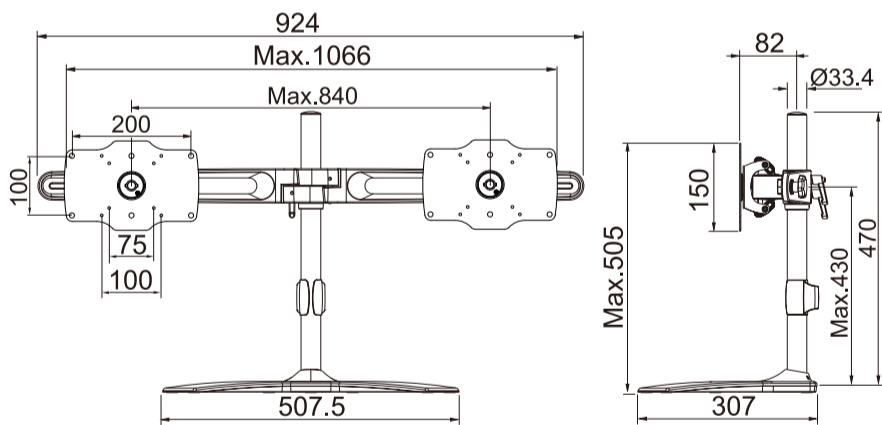
1. To ensure safety, please read this manual carefully before installation and follow the instructions herein. Store this manual in a secure place for future reference.
2. The manufacturer shall not be legally responsible for any equipment damage or personnel injury caused by incorrect installation or operation other than that covered in this manual.
3. The subject product is designed for easy installation and removal. The manufacturer shall not be liable for damage to equipment or personnel injuries arising out of human factors or acts of God, such as earthquake or typhoon.
4. It is recommended that the subject product to be installed by qualified personnel only.
5. At least two persons are needed to install or remove the product to avoid hazard of falling objects.
6. Only install on horizontal desks and avoid slanted desk surfaces.
7. To ensure safe installation, first check the structure of the desk and select a secure mounting location.
8. The desk should be strong enough to sustain a weight of at least four times of the display and the subject product combined. The mounting location must be able to withstand earthquake or other strong shock.
9. Do not modify any accessories or use broken parts. Contact your dealer with any questions.
10. Tighten all screws (do not exert excessive force to avoid breaking the screw or damaging its thread).
11. Since the manufacturer has no way to control the desk type and installation of this product, the warranty of the product shall only cover the body of the product.



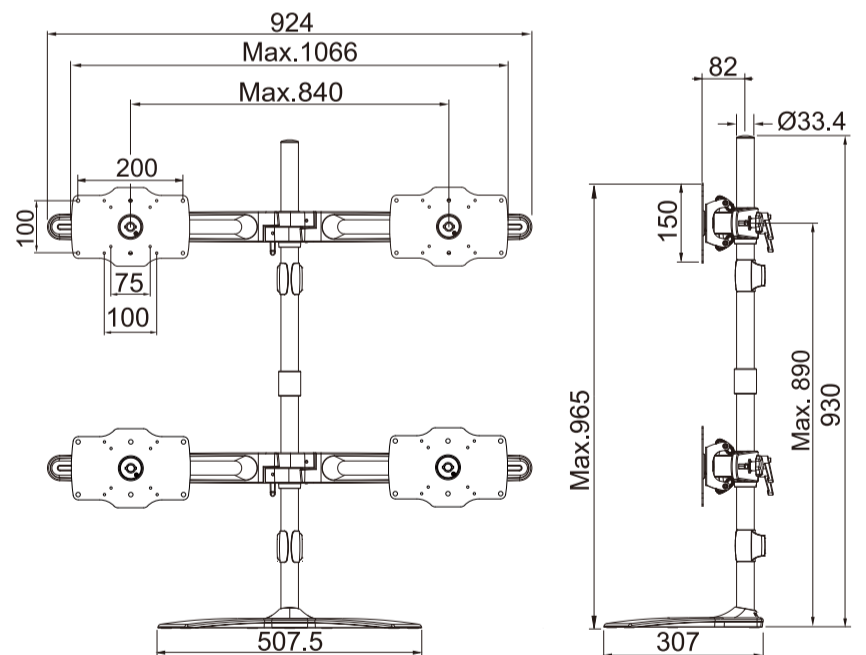
Warning

Various displays have different screw hole specifications. Please check that the Screws(F) fits the specifications for the display to be mounted. Please contact your dealer with any questions

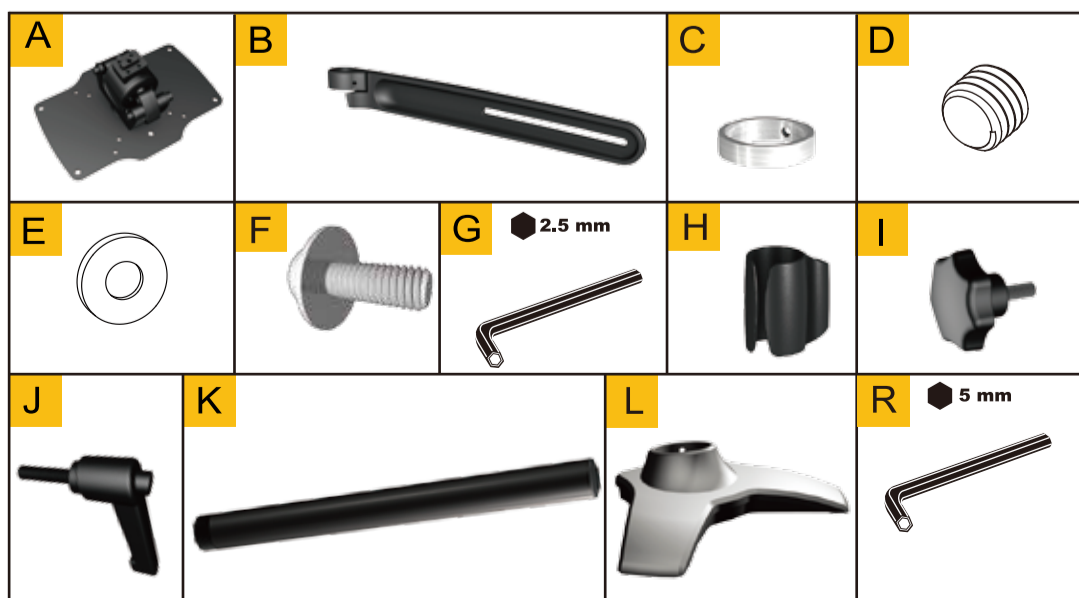
Physical Dimensions (Dual Type)(mm)



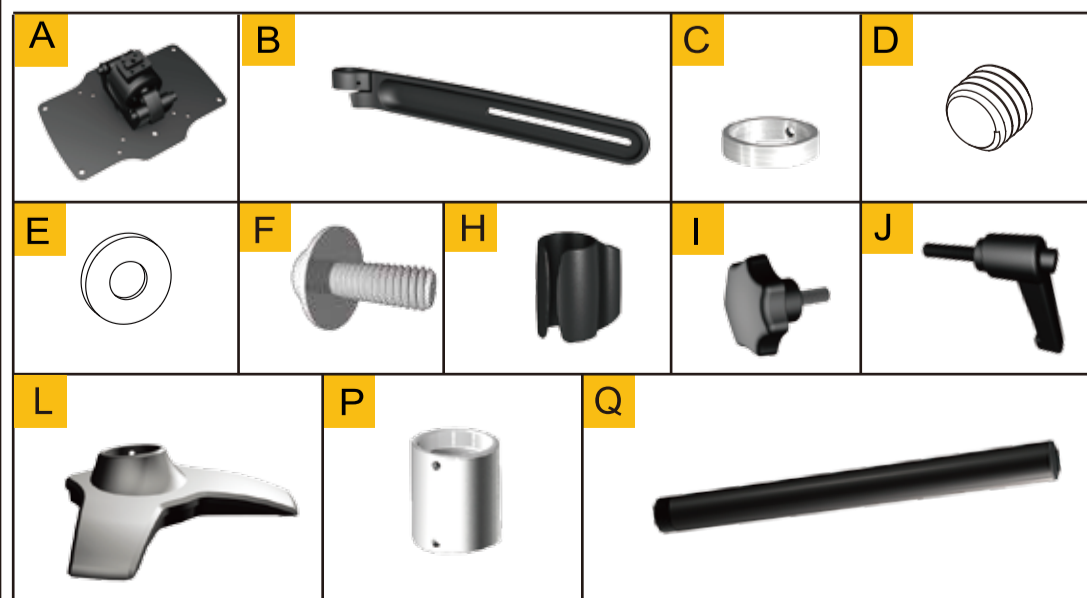
Physical Dimensions (Quad Type)(mm)



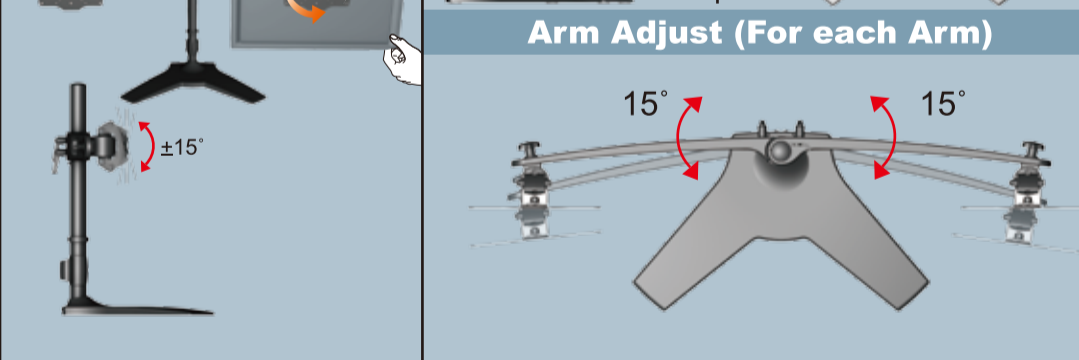
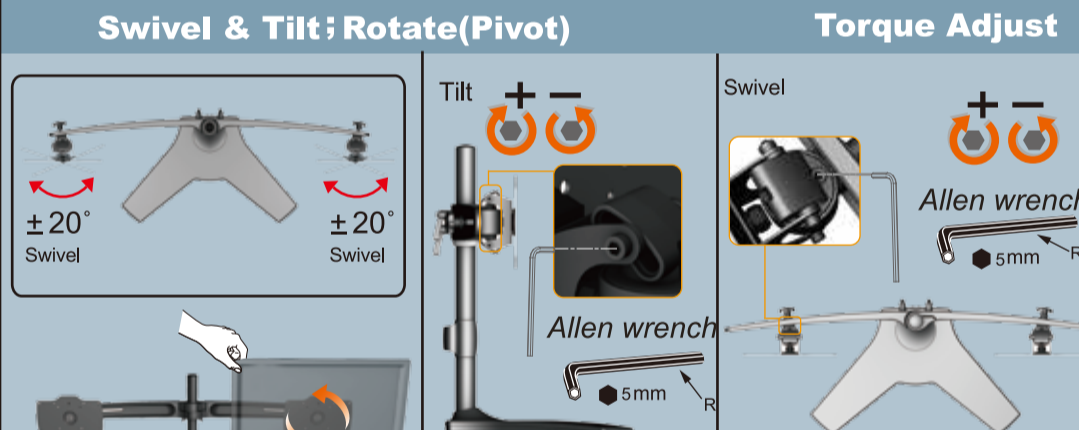
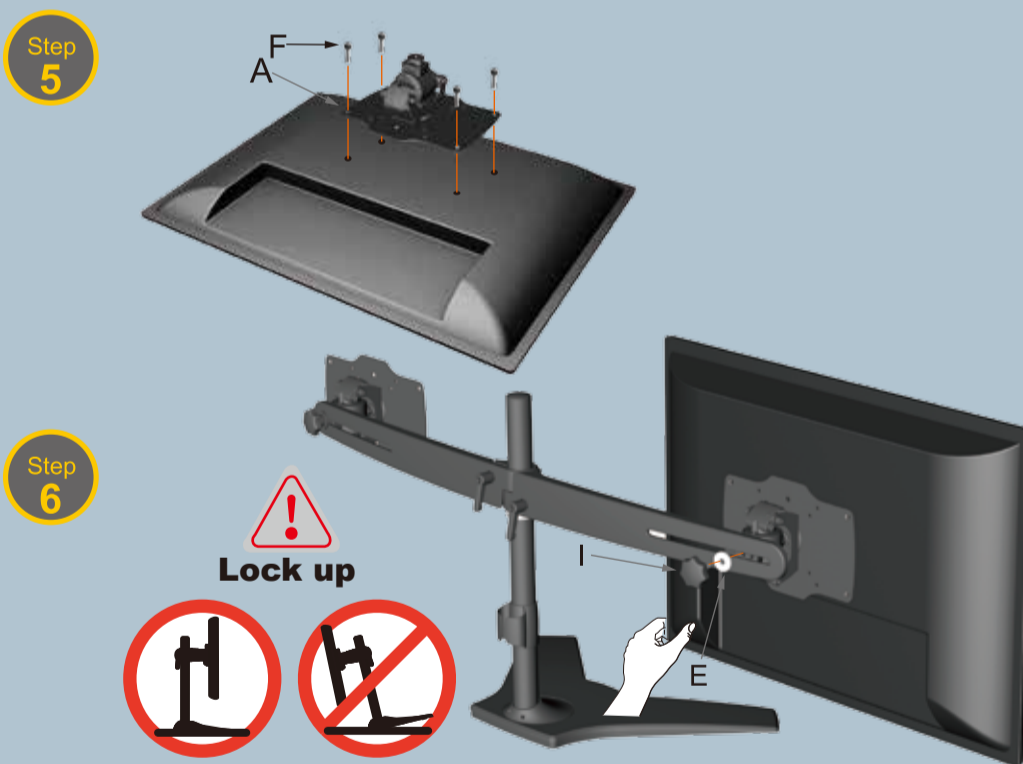
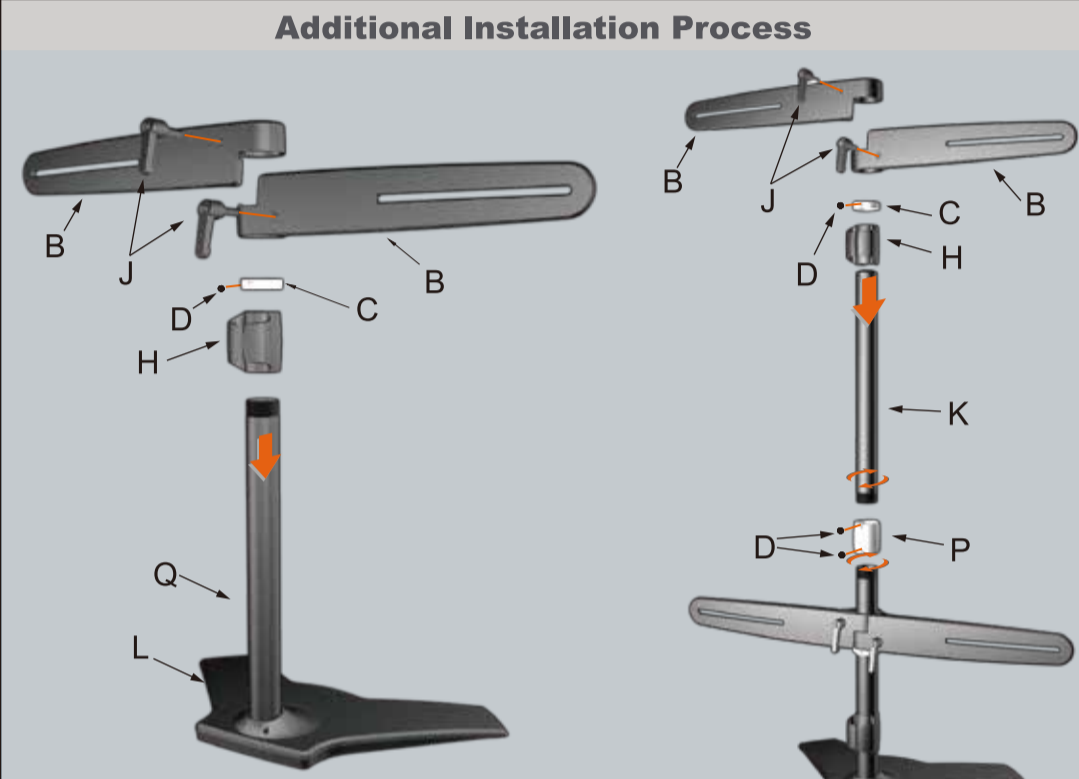
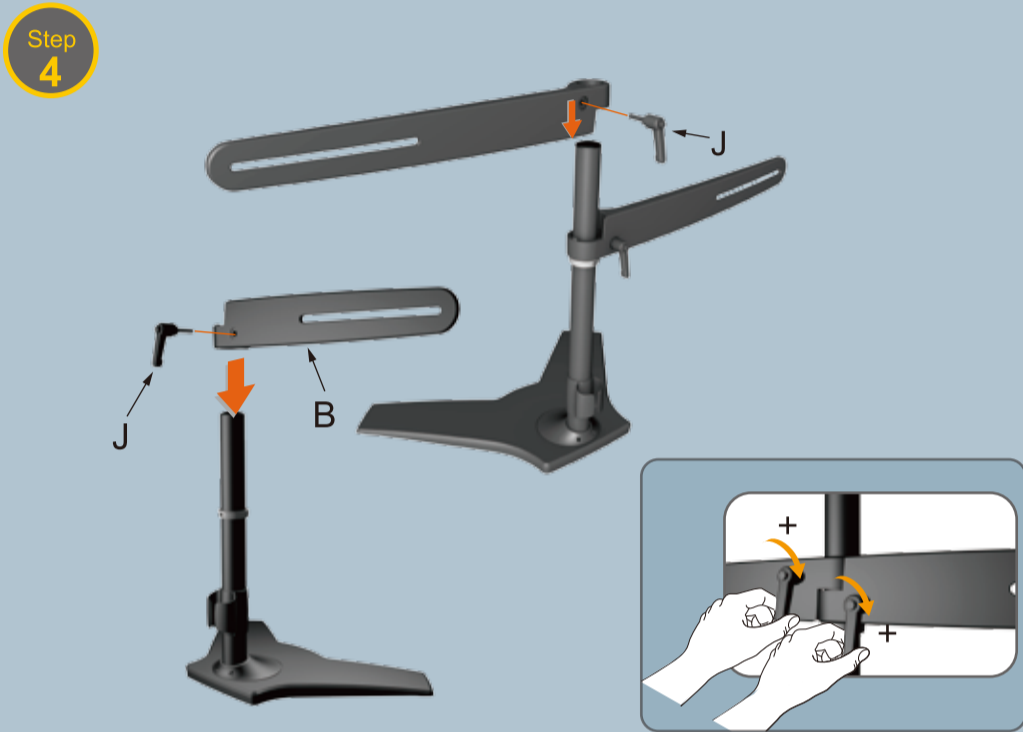
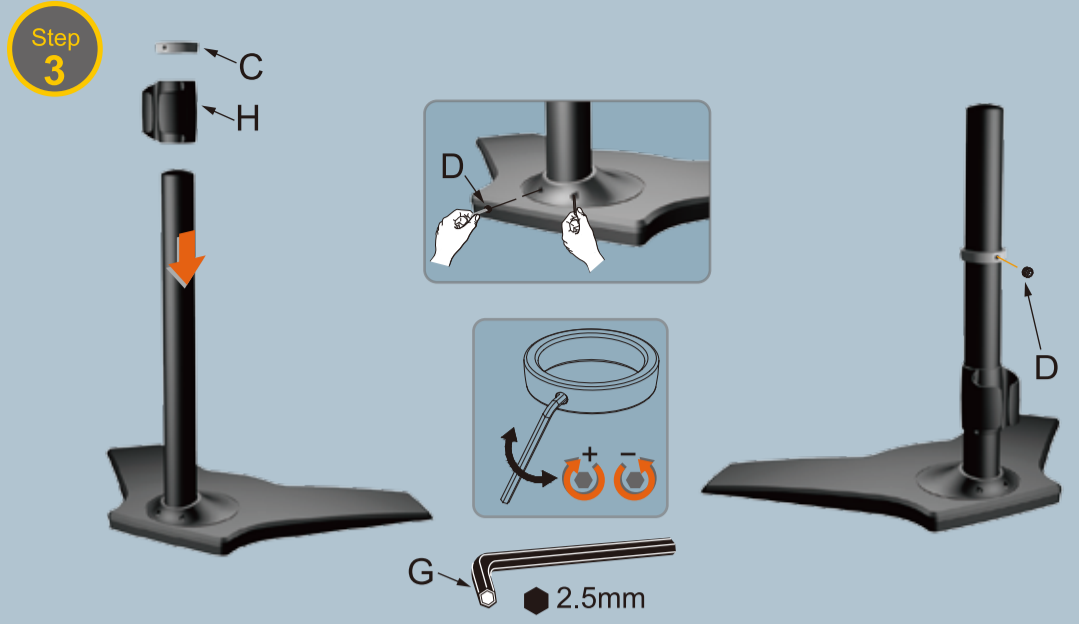
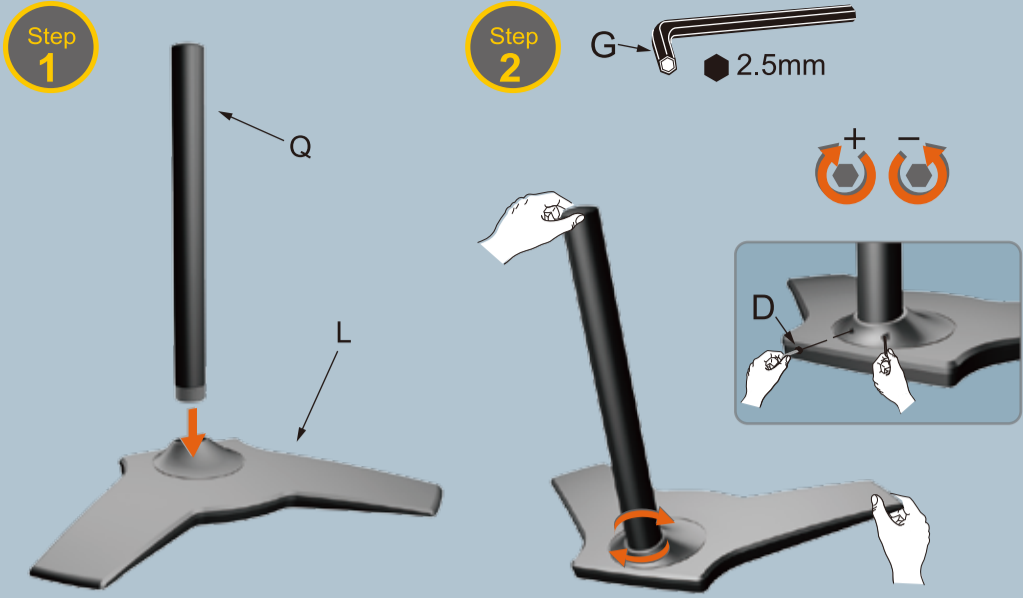
Enclosed Parts (For both Dual & Quad Models)



Additional Enclosed Parts (For Quad Model only)



Installation Process



Horizontal & Vertical Adjust

Horizontal & Vertical Adjust

Cable Management

