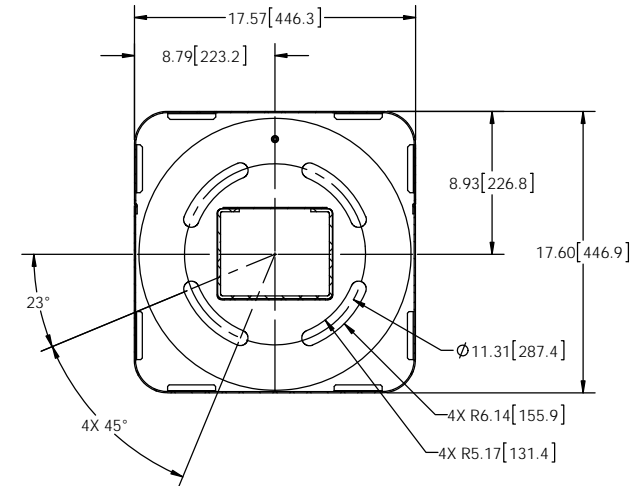
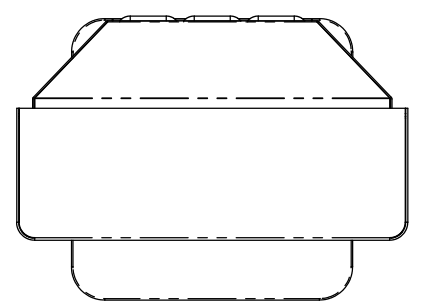
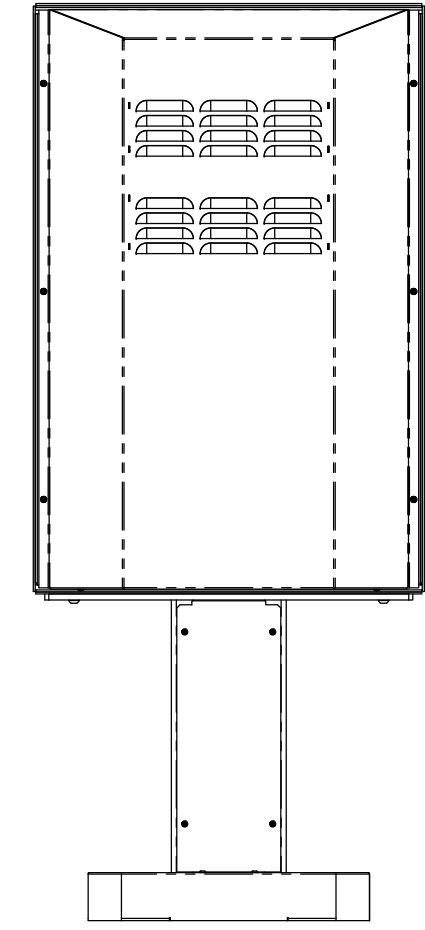
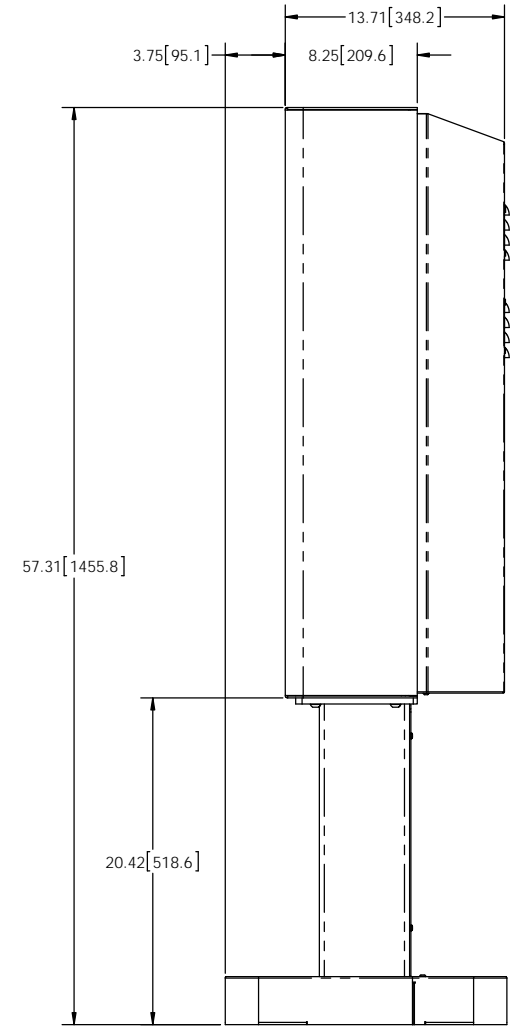
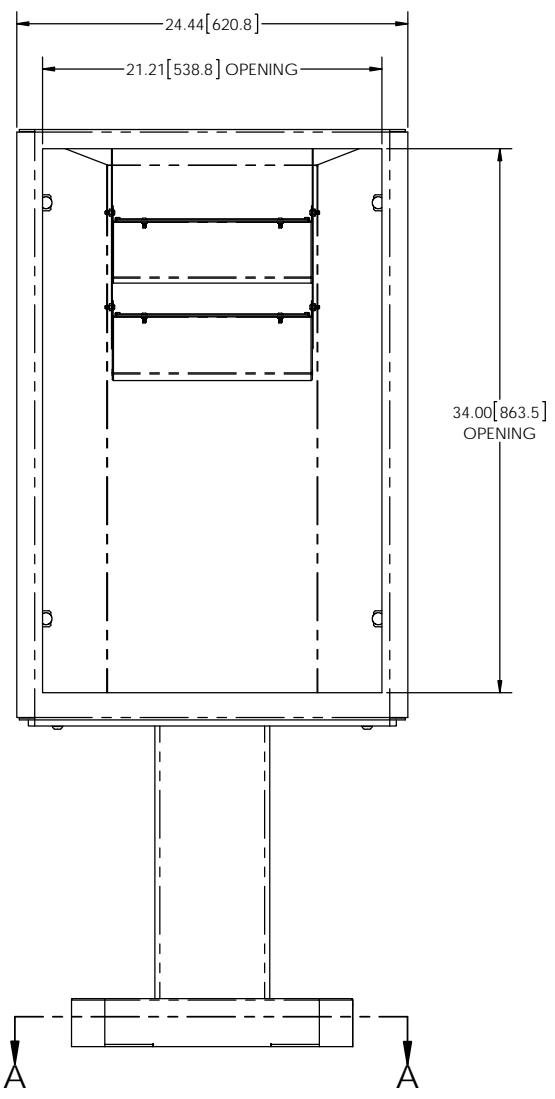
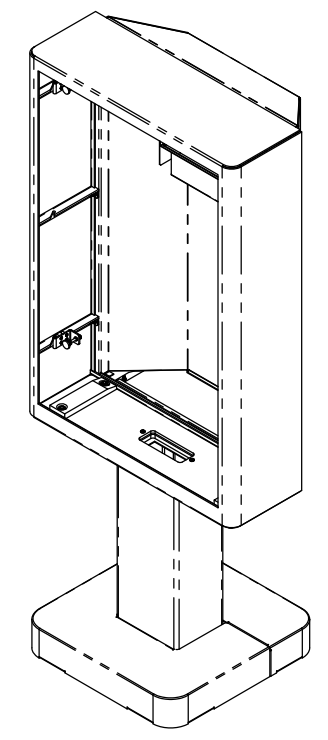


REVISIONS					
ECO	ZONE	REV.	DESCRIPTION	DATE	APPROVED
-		01	INITIAL RELEASE.	02/22/12	RD
1004055		A	PRODUCTION RELEASE.	11/28/12	RD



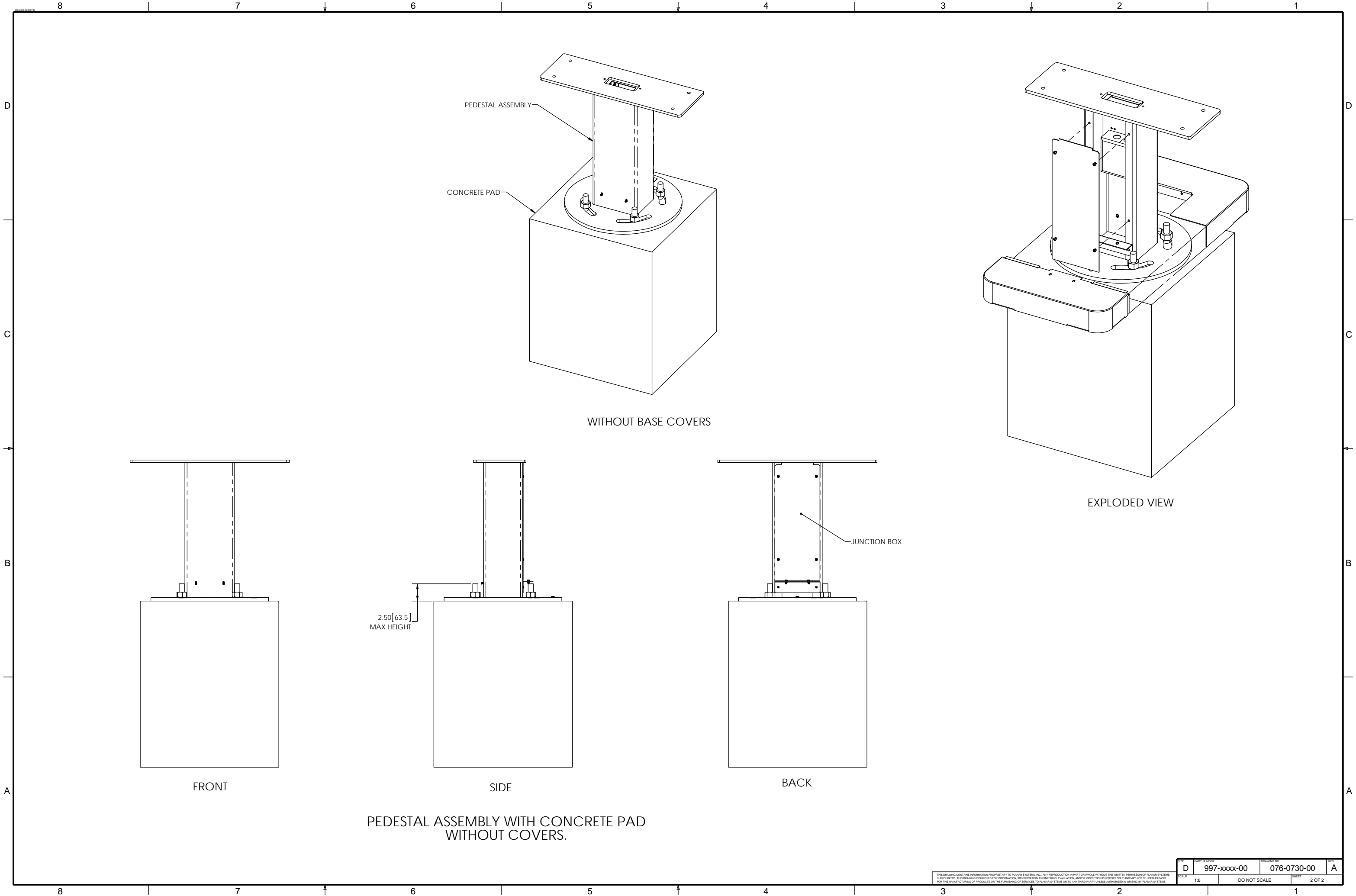
SECTION A-A



- NOTES:
- REFER TO 002-0266-00 FOR LATEST FINISH/COLOR SPECIFICATIONS AND 997 PART NUMBERS.
  - FINISHED ASSEMBLY MUST BE RoHS COMPLIANT.

UNLESS OTHERWISE SPECIFIED DIMENSIONS ARE IN INCHES.		DESIGNED BY	-		PLANAR SYSTEMS, INC. 1156 NW COMPTON DRIVE BEAVERTON, OR 97006 USA
TOLERANCES - UNLESS OTHERWISE SPECIFIED		DRAWN BY	R.DAVENPORT		
X= ±.1	XXX= ±.015	CHECKED BY	-	TITLE	
XX= ±.05	ANGLES= ±1°	USED ON	LC32 ENCLOSURE	DWG. SPEC, LC3251 ENCL, MECH OUTLINE	
DIMENSIONING AND TOLERANCING PER ASME Y14.5M-1994		MATERIAL	N/A	SIZE	PART NUMBER
THIRD ANGLE PROJECTION		FINISH	SEE NOTE 1.	D	997-xxxx-00
				DRAWING NUMBER	076-0730-00
				SCALE	1:6
				DO NOT SCALE	SHEET
					1 OF 2

THIS DRAWING CONTAINS INFORMATION PROPRIETARY TO PLANAR SYSTEMS, INC. ANY REPRODUCTION IN PART OR WHOLE WITHOUT THE WRITTEN PERMISSION OF PLANAR SYSTEMS IS PROHIBITED. THIS DRAWING IS SUPPLIED FOR INFORMATION, IDENTIFICATION, ENGINEERING, EVALUATION, AND/OR INSPECTION PURPOSES ONLY AND MAY NOT BE USED AS A BASIS FOR THE MANUFACTURE OF PRODUCTS OR THE FURNISHING OF SERVICES TO PLANAR SYSTEMS OR TO ANY THIRD PARTY UNLESS AUTHORIZED IN WRITING BY PLANAR SYSTEMS.



<small>THIS DRAWING CONTAINS INFORMATION PROPRIETARY TO PLANAR SYSTEMS, INC. ANY REPRODUCTION IN PART OR WHOLE WITHOUT THE WRITTEN PERMISSION OF PLANAR SYSTEMS IS PROHIBITED. THIS DRAWING IS SUPPLIED FOR INFORMATION, IDENTIFICATION, ENGINEERING, EVALUATION, AND/OR INSPECTION PURPOSES ONLY AND MAY NOT BE USED AS BASIS FOR THE MANUFACTURING OF PRODUCTS OR THE FURNISHING OF SERVICES TO PLANAR SYSTEMS OR TO ANY THIRD PARTY UNLESS AUTHORIZED IN WRITING BY PLANAR SYSTEMS.</small>		<small>REV</small> <b>D</b>	<small>PART NUMBER</small> <b>997-xxxx-00</b>	<small>DRAWING NO.</small> <b>076-0730-00</b>	<small>REV</small> <b>A</b>
<small>SCALE</small> 1:6	<small>DO NOT SCALE</small>	<small>SHEET</small> 2 OF 2			