



Dual Monitor Stand



Quad Monitor Stand

**Swivel & Tilt ; Rotate(Pivot) / Torque Adjust**

$\pm 20^\circ$  Swivel

$\pm 20^\circ$  Swivel

Tilt  $\pm 20^\circ$

$\pm$

**Horizontal & Vertical Adjust**

**Arm Adjust(For each Arm)**

$15^\circ$

$15^\circ$

**Cable Management**

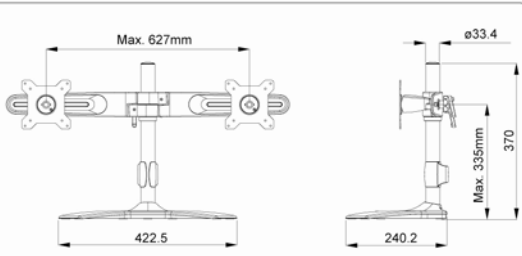
**Dual Monitor Stand**

**Instruction Manual**

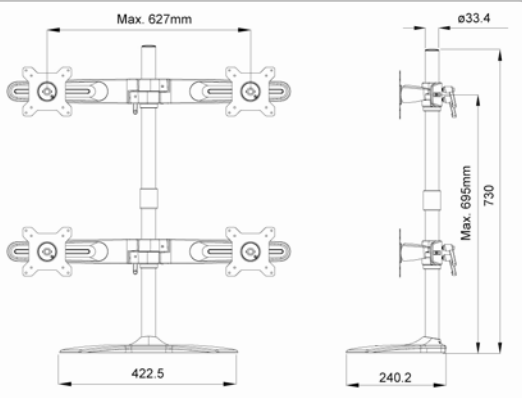
78TS7420101A

Top view Side view Front view Front view

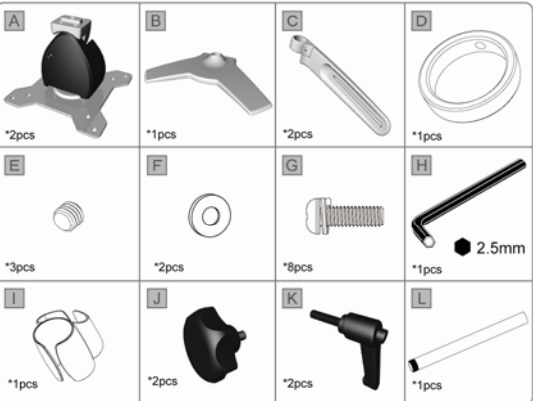
(Dual Type) Physical Dimensions (mm) (Max.)



(Quad Type) Physical Dimensions (mm) (Max.)



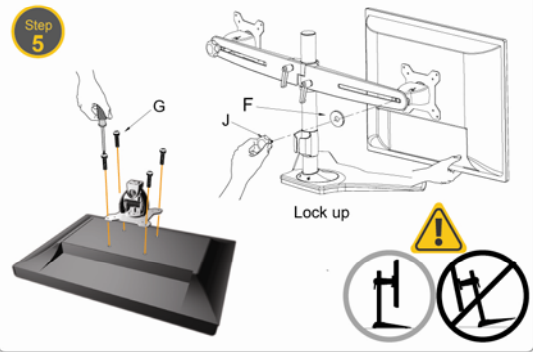
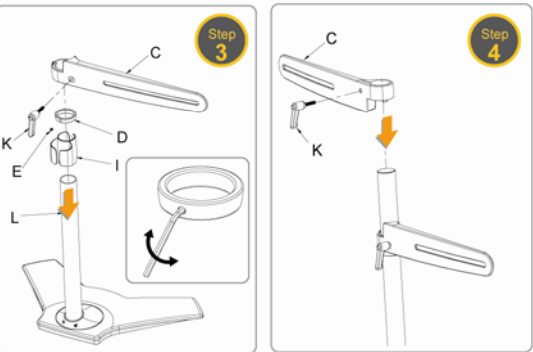
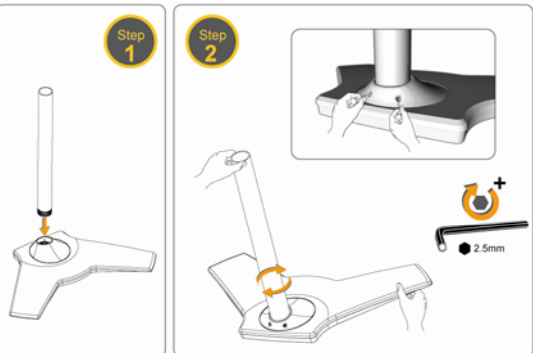
Enclosed Parts(For all models)



Additional Enclosed Parts(For Quad model only)



Installation Process



Additional Installation Process (For Quad Model only)

